

DEPARTMENT NEWS WINTER 2024

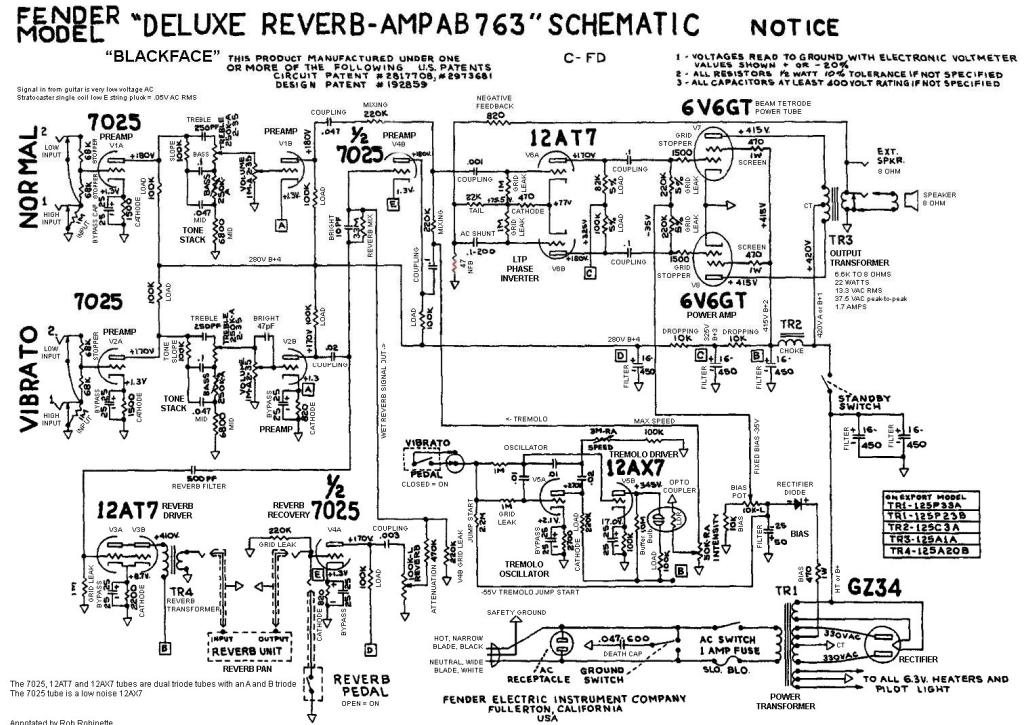
MADS GRÆSBØLL CHRISTENSEN



AALBORG UNIVERSITY
DENMARK

AGENDA

- SHORT NEWS
- POSITIONS
- RENOVATION OF FRB7
- MASTERS REFORM
- CRITERIA FOR MERIT
- HIGHLIGHTS



SHORT NEWS

- 71 mio DKK in new grants in 2024, 50+ in pipeline for 2025!
- We solicited proposals for new equipment and managed to execute!
- Two new programs approved in CPH: B.Eng. In Cyber Security and M.Sc. In Computer Technology!
- Call for applications to AI:X Labs early next year—be ready!
- Research evaluation ongoing, committee to visit in February.
- Slides now on intranet!



AALBORG UNIVERSITY
DENMARK

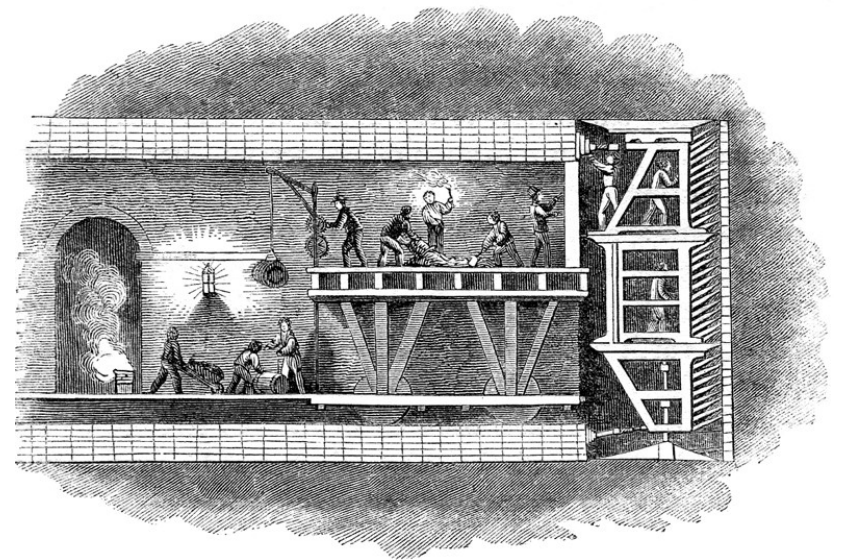
POSITIONS

- Assoc. Prof. in Satellite Communications 2024:
 - Israel Leyva-Mayorga
- Assistant Professor in Aalborg 2024:
 - Rocio Rodriguez Cano
- Assistant Professor(s) in Copenhagen in 2025
 - Call for applications up
- Partnership & Fundraising Manager
 - Jesper Borg Christensen
- Study Team Secretary
 - Bianca Hæstrup Andersen



RENOVATION OF FRB7

- Negotiations with BYGST commenced.
- We will be in A and B, CS in C, D, and F.
- Work will start in early 2026.
- Swingspace(s) will be used as buffer
- Working group: Susan Kragelund Kristensen and Claus Vestergaard Skipper
- Drawings in B1—come check them out.
- TECH Lab construction to start medio 2026.

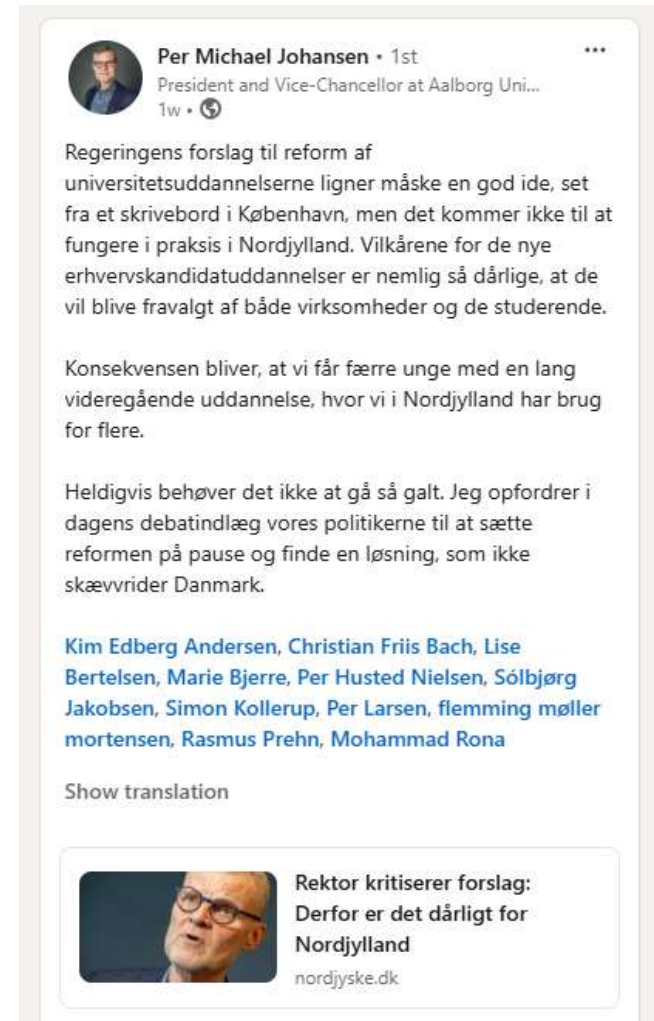


MASTERS REFORM

- Negotiations still ongoing, subject to change.
- Cap on students we get STÅ for (DK, EU).
- Non-EU tuition fee paying students not part of it.
- Cap on seats in English language programs.
- 15% should be industrial masters.
- B.Eng. exempt from cap.



AALBORG UNIVERSITY
DENMARK



Per Michael Johansen • 1st
President and Vice-Chancellor at Aalborg Uni...
1w • 🌐


Regeringens forslag til reform af universitetsuddannelserne ligner måske en god ide, set fra et skrivebord i København, men det kommer ikke til at fungere i praksis i Nordjylland. Vilklårene for de nye erhvervs kandidatuddannelser er nemlig så dårlige, at de vil blive fravalgt af både virksomheder og de studerende.

Konsekvensen bliver, at vi får færre unge med en lang videregående uddannelse, hvor vi i Nordjylland har brug for flere.

Heldigvis behøver det ikke at gå så galt. Jeg opfordrer i dagens debatindlæg vores politikere til at sætte reformen på pause og finde en løsning, som ikke skævvrider Danmark.

[Kim Edberg Andersen](#), [Christian Friis Bach](#), [Lise Bertelsen](#), [Marie Bjerre](#), [Per Husted Nielsen](#), [Sólbjörg Jakobsen](#), [Simon Kollerup](#), [Per Larsen](#), [flemming møller mortensen](#), [Rasmus Prehn](#), [Mohammad Rona](#)

Show translation

 **Rektor kritiserer forslag: Derfor er det dårligt for Nordjylland**
nordjyske.dk

CRITERIA FOR MERIT

- Criteria for merit in effect for TECH
- Applies in recruitment, career development
- Categories:
 - Research
 - Teaching & supervision
 - Societal contribution
 - Funding
 - Leadership and organization contributions
- Includes examples of indicators
- Available at <https://www.en.tech.aau.dk/about-tech/tech-as-a-workplace/criteria-for-merit>.

The Technical Faculty of IT and Design's Criteria for Employment and Advancement



Criteria for merit for Assistant Professors, Associate Professors, and Professors

Get PDF



Examples of indicators

Get PDF



AALBORG UNIVERSITY
DENMARK

HIGHLIGHTS

AIS:

- Industrial IFD with Oticon granted

APMS:

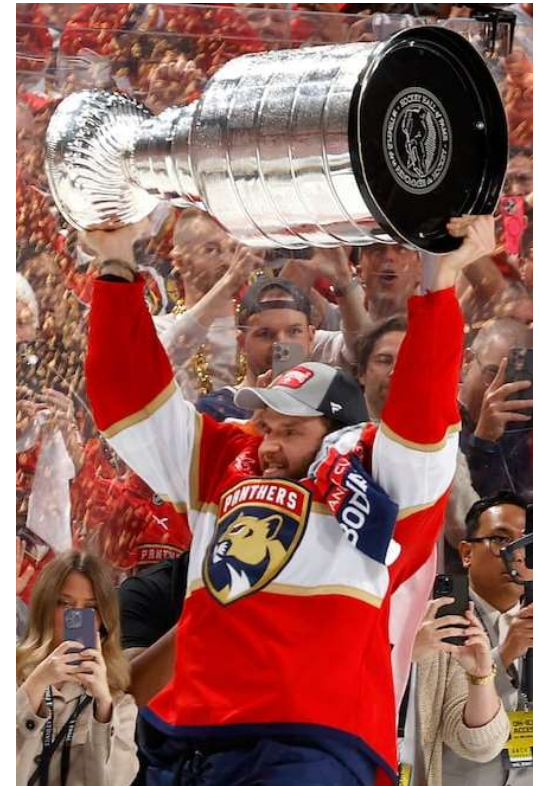
- Shuai Zhang has been named IEEE Fellow!
- Peng Mei and Rocio Rodriguez Cano IEEE Young Professional Ambassadors 2025 (out of 12).

CMI:

- Edlira Dushku selected for AAU Excellence program!

AUT:

- Grant from ESA for Vixos!



HIGHLIGHTS

WCN:

- New IFD project Drones4Defense. Total budget of 37 million DKK.

CNT:

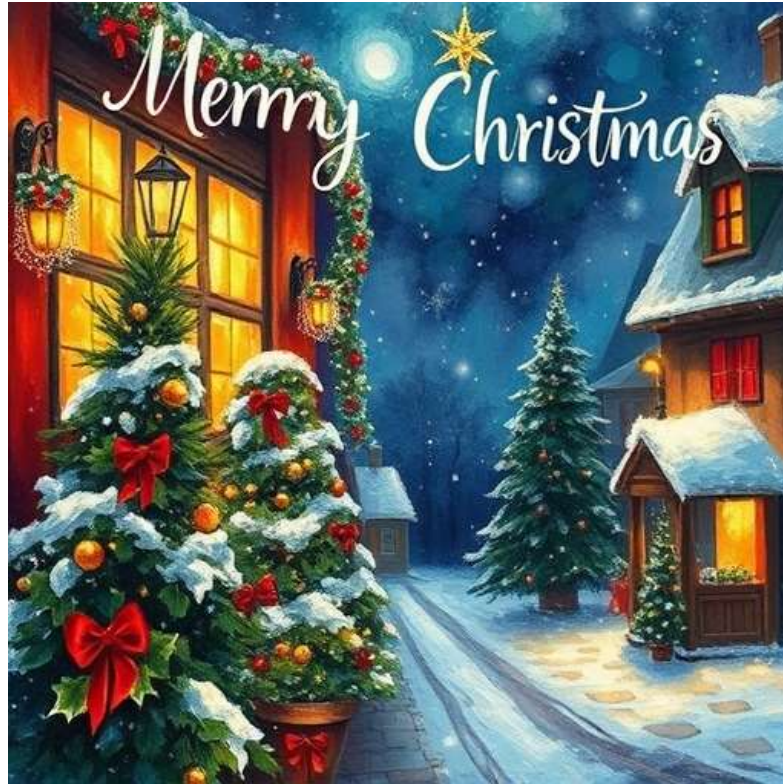
- Workshop “Future of Communications” on quantum, satellite, nanonetworking, sensing, etc.
- Shashi Raj Pandey received DFF1 Project “Networks for Privacy-Aware Data Acquisition and Reliable Machine Learning”.
- 5 MSCA DN’s submitted by CNT.
- New project funded by ESA SatNEx program.



Questions?



AALBORG UNIVERSITY
DENMARK



AALBORG UNIVERSITY
DENMARK